

### Features

- Kohler plumbing products mean beautiful form as much as reliable function.
- Extra-heavy, elongated, open-front toilet seat.
- Check hinge.

### Material

- Made of solid polypropylene and is resistant to staining, fading, chipping and peeling.



### Codes/Standards

IAPMO/ANSI Z124.5


### KOHLER® One-Year Limited Warranty

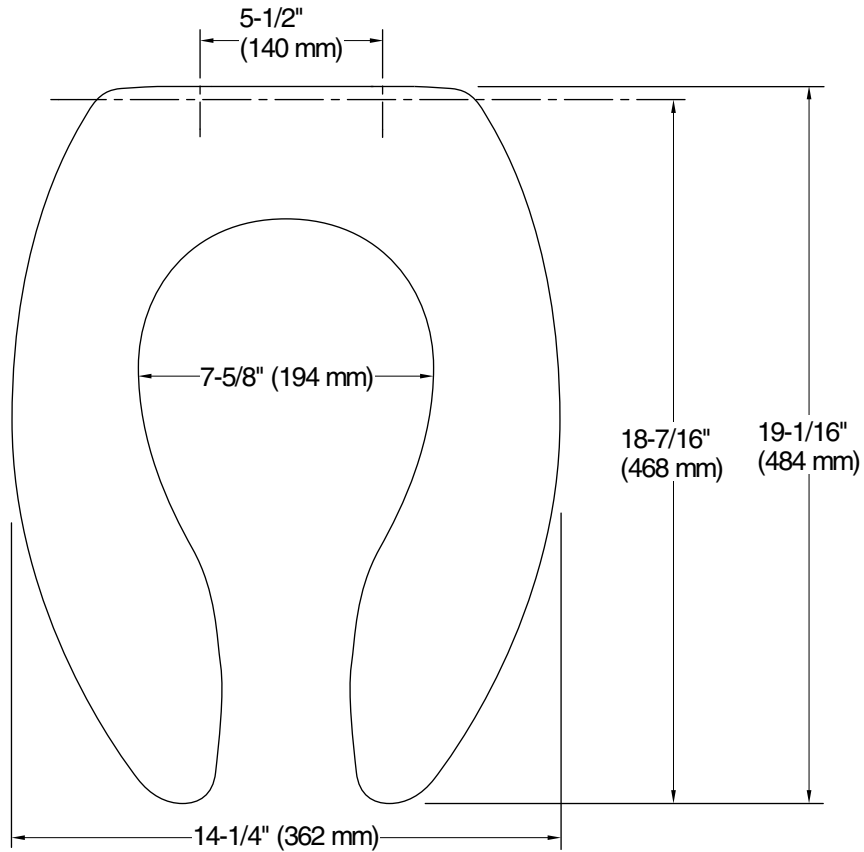
See website for detailed warranty information.

### Available Colors/Finishes

*Color tiles intended for reference only.*

Color	Code	Description
-------	------	-------------

	0	White
---	---	-------



### Technical Information

All product dimensions are nominal.

Seat shape type: Elongated  
Seat front type: Open-front  
Seat hinge type: Check  
Seat-mounting holes: 5-1/2" (140 mm)

### Notes

Install this product according to the installation guide.